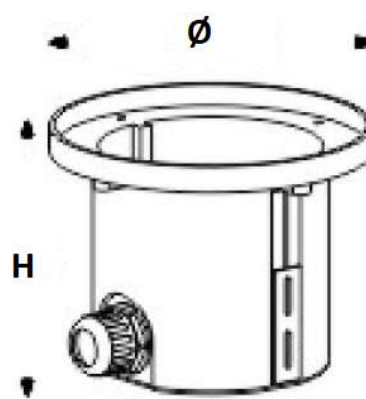
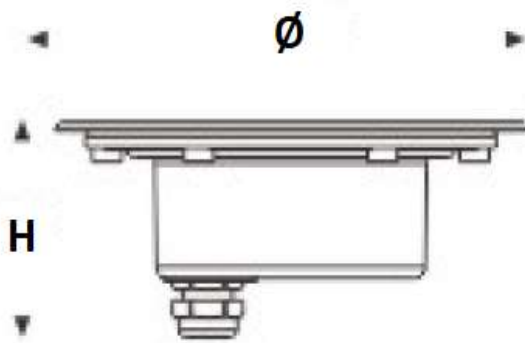




Mounting Sleeve



TECHNICAL DATA

Code	Wattage	Luminous Flux				Size (Ø X H)mm	Mounting Sleeve	Cut out (mm)
		2700K	3000K	4000K	6000K			
TITAN-R13	4 x 2W	575	585	595	605	135 X 58	127 X 120	127
TITAN-R18	6 X 2W	870	890	910	930	180 X 77	156 X 120	156
TITAN-R20	12 X 2W	1760	1780	1810	1830	205 X 88	169 X 126	169
TITAN-R25	18 X 2W	2740	2790	2840	2890	250 X 79	232 X 126	232

SDCM

<3

CRI

>83/93

Beam Angle

15°/30°/45°/60°/45*35°

Working Voltage

24 VDC

LED Driver

Remote

Control

Switched / 1-10V / DALI

Body Material

Stainless Steel 316L

Diffuser

Tempered Glass

IP Rating

IP68 (Immersion up to 5m water depth)

Rated Life

50,000Hrs (L70)

ORDER INFORMATION

Product Code	X	YY	ZZ
BLU-TITAN-R13-8W	8 - CRI 83+	27 -2700K	15 - 15 Deg
BLU-TITAN-R18-12W	9 - CRI 93+	30 -3000K	30 - 30 Deg
BLU-TITAN-R20-24W		40 -4000K	45 - 45 Deg
BLU-TITAN-R25-36W		60 -6000K	60 - 60 Deg
			45*35 - 45*35 Deg

Example: BLU-TITAN-R13-8W-827-15-IP68

Specification subject to change without notice