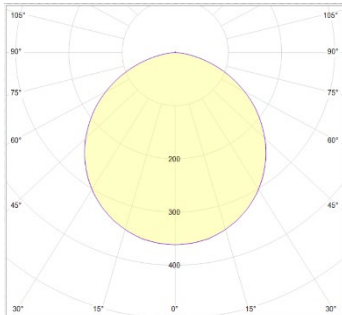
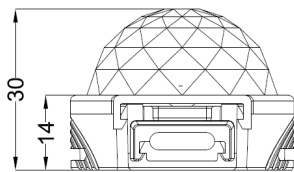
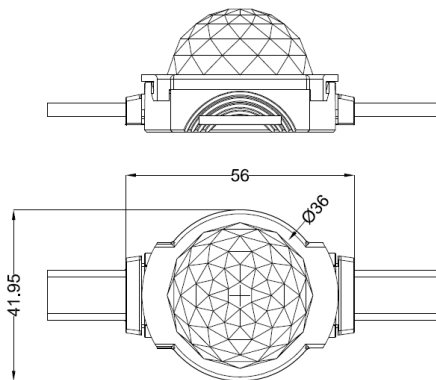


POINTE 42D

Node Pixel Light



TECHNICAL DATA

<i>Product Code</i>	BLU-POINTE-42D
<i>Wattage</i>	2W
<i>Luminous Flux</i>	Red – 25Lm Green – 60Lm Blue – 15Lm White – 100Lm (RGB mix) 3000K/4000K – 40Lm
<i>Luminous Efficacy</i>	>50lm/W
<i>SDCM</i>	<3 (3000K/4000K)
<i>CRI</i>	>80 (3000K/4000K)
<i>Beam Angle</i>	120°
<i>Working Voltage</i>	24VDC
<i>LED Driver</i>	Remote
<i>LED Chip</i>	6L – SMD3535
<i>Pixel Qty</i>	As per project requirement
<i>LED qty/pixel</i>	4-RGB (3in1) + 2-White
<i>Control</i>	SPI
<i>IC Type</i>	UCS2904B
<i>Body Material</i>	UV stabilized, Heat resistant, UL-94V0 Polycarbonate
<i>Optics</i>	UV stabilized, Heat resistant, UL-94V0 Polycarbonate Clear Cover
<i>IP Rating</i>	IP66
<i>Working Temperature</i>	-20°C to 55°C
<i>Rated Life</i>	50,000Hrs (L70)

ORDER INFORMATION

Product Code	XX	YY	ZZ
BLU-POINTE-42D	2W	RGBW	6 – 6 Nodes per meter

Example: BLU-POINTE-42D-2W-RGBW-6 (Nodes per Meter)

Specification subject to change without notice