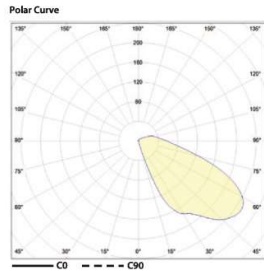
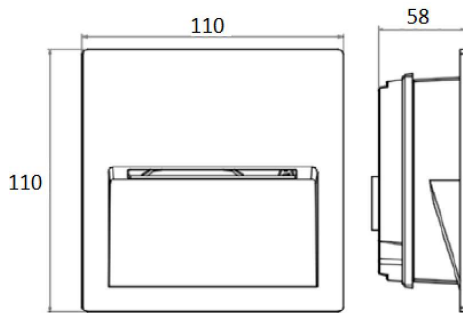


STEPZ S10L

Wall Recessed Step Light Series



TECHNICAL DATA

Product Code	BLU-STEPZ-S10L
Wattage	5W
Luminous Flux	2700K – 375lm 3000K – 378lm 4000K – 380lm 6000K – 382lm
Luminous Efficacy	> 70lm/W
SDCM	<3
CRI	>83
Beam Angle	Asymmetric
Power Factor	>0.95
Working Voltage	220-240V AC, 50/60Hz
LED Driver	Integral
Control	Switched / DALI (Remote Driver)
Body Material	Die-cast Aluminium
Optics	Tempered glass
Cut Out	105 X 105 X 58mm
IP Rating	IP65
Working Temperature	-20°C to 50°C
Rated Life	50,000Hrs (L70)

ORDER INFORMATION

Product Code	X	YY	ZZ
BLU-STEPZ-S10L-5W	8 - CRI 83+	27 - 2700K 30 - 3000K 40 - 4000K 60 - 6000K	IP65 – IP65

Example: BLU-STEPZ-S10L-5W-827-IP65

Specification subject to change without notice