

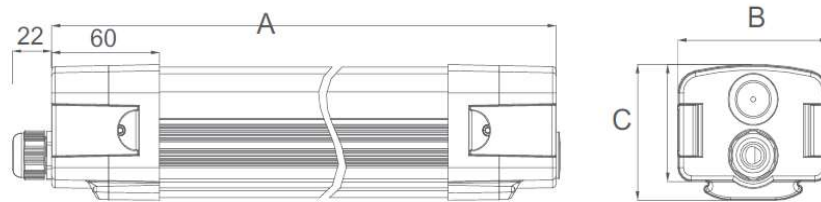
## Areas of Application

- Gas station
- Warehouse
- Parking Spaces
- Toll station
- Exhibition center
- Sports Facility



## TECHNICAL DATA

### Dimension

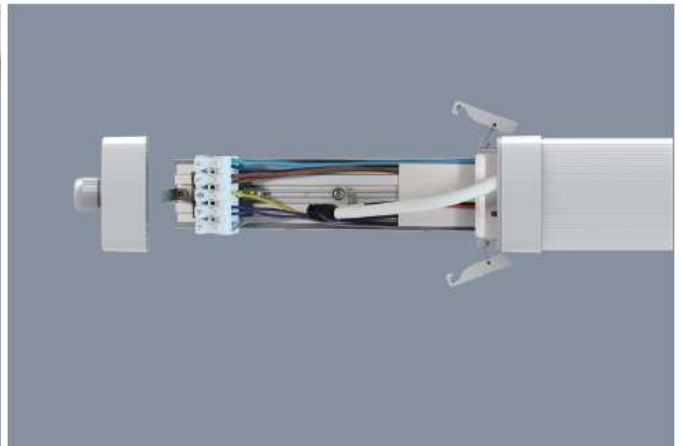
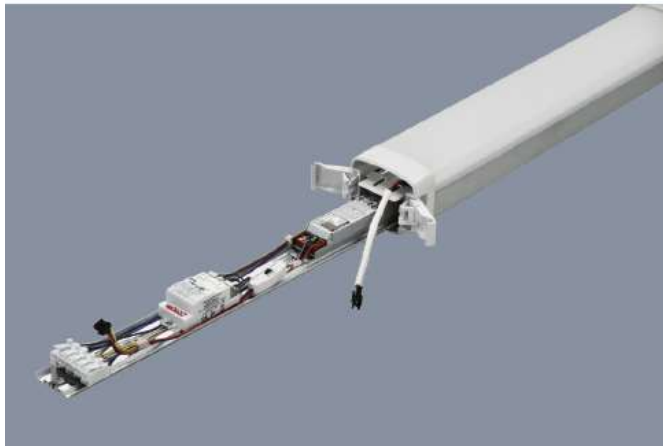
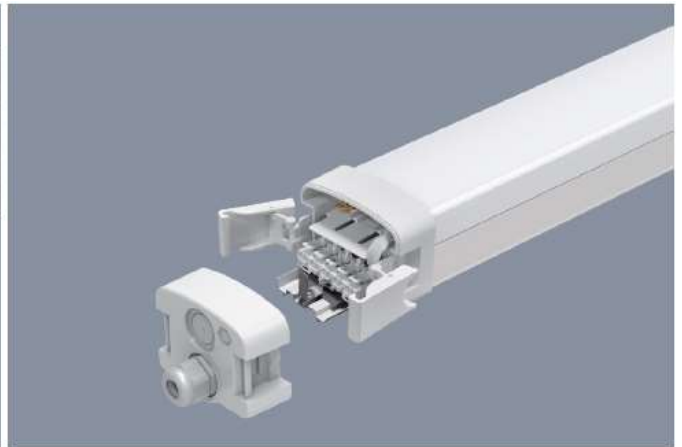
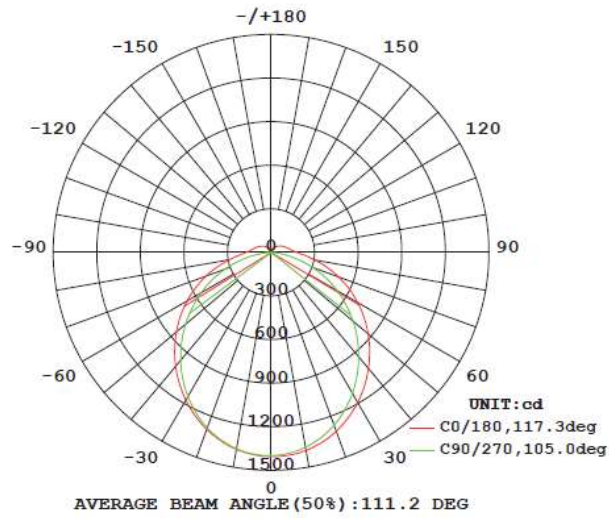


Wattage	Luminous Flux				Size (L X W X H)mm
	3000K	4000K	5000K	6000K	
10W	1400	1420	1440	1460	600 X 83 X 72
22W	3080	3100	3120	3140	600 X 83 X 72
20W	2800	2820	2840	2860	1200 X 83 X 72
40W	5600	5620	5640	5660	1200 X 83 X 72
24W	3360	3380	3400	3420	1500 X 83 X 72
60W	8400	8420	8440	8460	1500 X 83 X 72
40W	5600	5620	5640	5660	2400 X 83 X 72
100W	14000	14020	14040	14060	2400 X 83 X 72

Luminous Efficacy	>140lm/W
SDCM	<5
CRI	>83
Beam Angle	120°
Power Factor	>0.95
Working Voltage	220-240 VAC, 50/60Hz
LED Driver	Integral
Control	Switched/1-10/DALI
Body Material	Aluminium
Diffuser	Polycarbonate
IP Rating	IP66
IK Rating	IK10
Working Temperature	-20°C to 50°C
Rated Life	100,000Hrs (L70)

## TECHNICAL DATA

### Photometry Curve

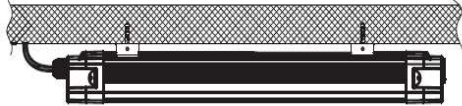


## TECHNICAL DATA

---

### Connection method

1). Single side power input wiring :



2). Only for double side power input wiring:



### ORDER INFORMATION

---

Product Code	X	YY	ZZ
BLU-CLIMA-P-60-10W	8 - CRI 83+	30 -3000K	IP66 - IP66
BLU-CLIMA-P-60-22W		40 -4000K	
BLU-CLIMA-P-120-20W		50 -5000K	
BLU-CLIMA-P-120-40W		60 -6000K	
BLU-CLIMA-P-150-24W			
BLU-CLIMA-P-150-60W			
BLU-CLIMA-P-240-40W			
BLU-CLIMA-P-240-100W			

Example: BLU-CLIMA-P-60-10W-830-IP66

*Specification subject to change without notice*