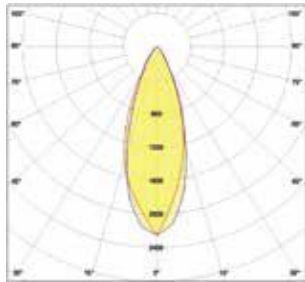
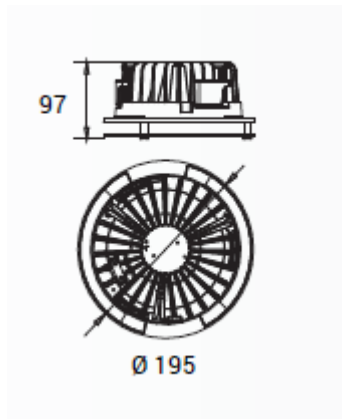


Saturn 19

Downlight



TECHNICAL DATA

<i>Product Code</i>	BLU-SAT-19
<i>Wattage</i>	24W / 28W
<i>Luminous Flux</i>	24 W 28 W 2700K – 2150lm 2510lm 3000K – 2190lm 2560lm 4000K – 2235lm 2610lm 5000K – 2280lm 2660lm
<i>Luminous Efficacy</i>	>85lm/W
<i>SDCM</i>	<3
<i>CRI</i>	>83/93
<i>Beam Angle</i>	60°
<i>Working Voltage</i>	36 VDC
<i>LED Driver</i>	Remote
<i>Control</i>	Switched / 1-10V / DALI
<i>Body Material</i>	Die-cast Aluminium
<i>Optics</i>	Multifaceted reflector with tempered glass cover
<i>IP Rating</i>	IP44
<i>Working Temperature</i>	-20°C to 40°C
<i>Rated Life</i>	50,000Hrs (L70)

ORDER INFORMATION

Product Code	X	YY	ZZ
BLU-SAT-19-24W	8 - CRI 83+	27 - 2700K	60 - 60 Deg
BLU-SAT-19-28W	9 - CRI 93+	30 - 3000K	
		40 - 4000K	
		50 - 5000K	

Example: BLU-SAT-19-24W-827-60

Specification subject to change without notice