



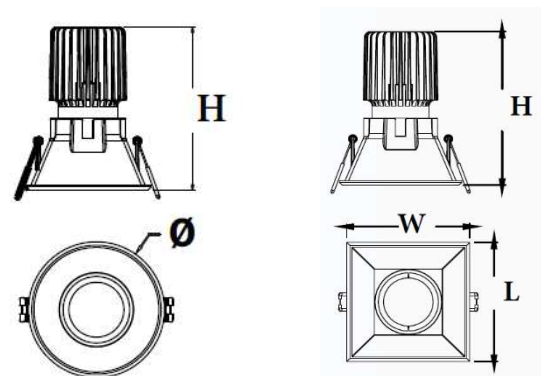
Retro R



Retro S

TECHNICAL DATA

Code	Wattage	Luminuous Flux				Size (Ø X H)mm	Cut out (mm)
		2700K	3000K	4000K	5000K		
BLU-RETRO-R	6W	500	525	550	600	99 X 105	95
BLU-RETRO-R	8W	700	725	750	800	99 X 105	95
BLU-RETRO-R	13W	1138	1178	1218	1300	99 X 128	95
BLU-RETRO-R	14W	1300	1325	1350	1400	99 X 128	95
BLU-RETRO-S	6W	500	525	550	600	99 X 99 X 105	95
BLU-RETRO-S	8W	700	725	750	800	99 X 99 X 105	95
BLU-RETRO-S	12W	1100	1125	1150	1200	99 X 99 X 105	95
BLU-RETRO-S	14W	1300	1325	1350	1400	99 X 99 X 128	95



Luminous Efficacy

SDCM

CRI

Beam Angle

Working Voltage

LED Driver

Control

Body Material

Optics

Diffuser

IP Rating

Working Temperature

Rated Life

>90lm/W ; 110 lm/W available on request

<3

>83 / 93

15°/24°/38°/55°

36 VDC

Remote

Switched/1-10/DALI

Die-cast Aluminium

PMMA

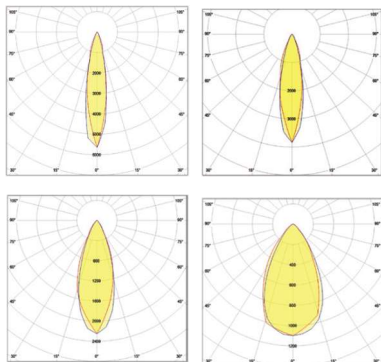
Clear / Frosted Glass

IP65

-20°C to 50°C

50,000Hrs (L70)

IK06



ORDER INFORMATION

Product Code	X	YY	ZZ
BLU-RETRO-R-6W	8 - CRI 83+	27 -2700K	15 - 15 Deg
BLU-RETRO-R-8W	9 - CRI 93+	30 -3000K	24 - 24 Deg
BLU-RETRO-R-12W		40 -4000K	38 - 38 Deg
BLU-RETRO-R-14W		50 -5000K	55 - 55 Deg
BLU-RETRO-S-6W			
BLU-RETRO-S-8W			
BLU-RETRO-S-12W			
BLU-RETRO-S-14W			

Example: BLU-RETRO-R-6W-827-15

Specification subject to change without notice