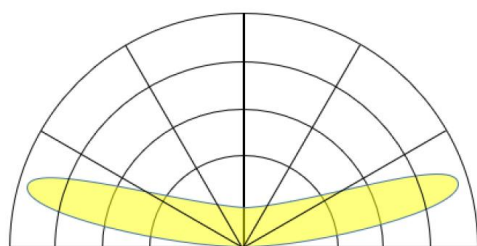


QUANTUM Pro 1L

LED Module



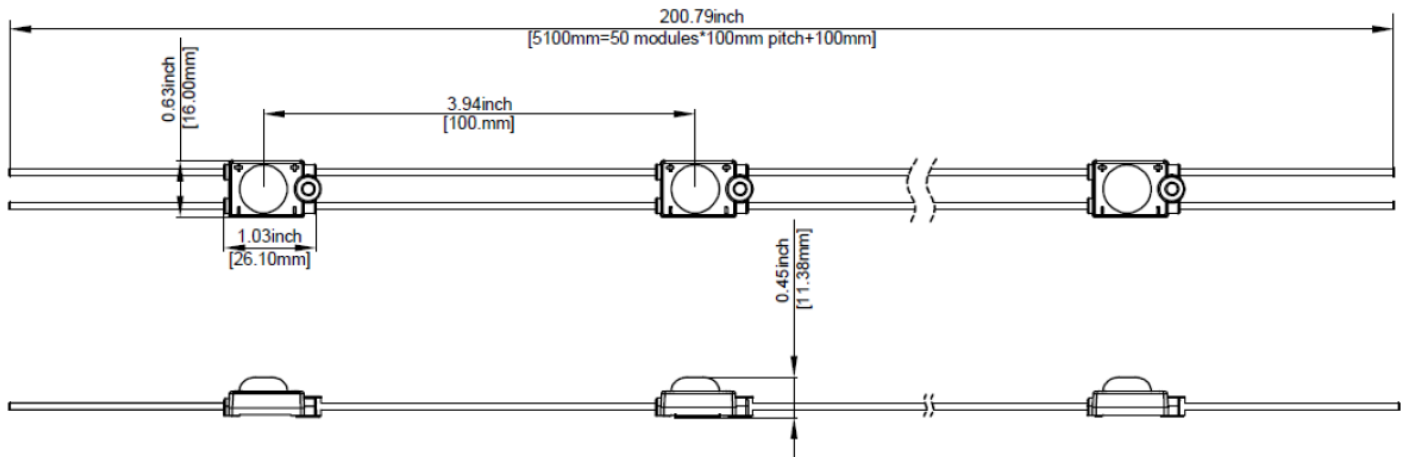
TECHNICAL DATA

<i>Product Code</i>	QP1-0.36W
<i>Wattage</i>	0.36W (Nominal) 0.38W (Max)
<i>Working Voltage</i>	12 VDC
<i>Recommended Depth</i>	30mm to 150mm
<i>Luminous Efficacy</i>	Up to 161lm/W
<i>Lumen Output</i>	55lm (2700K, 3000K, 4000K) 58lm (5000K, 6500K, 7100K, 8000K)
<i>SDCM</i>	<3
<i>Beam Angle</i>	175°
<i>CCT</i>	2700K / 3000K / 4000K 5000K / 6500K / 7100K / 8000K
<i>Dimension</i>	26.1 x 16 x 11.38 mm
<i>LED Driver</i>	Remote Driver (Constant Voltage)
<i>Dimming Control</i>	Switched / 0-10V / DALI
<i>IP Rating</i>	IP67
<i>Body Material</i>	ABS
<i>Lens Material</i>	PC
<i>LED Chip</i>	Lumileds
<i>UV Resistance</i>	Yes
<i>CC Distance</i>	100mm
<i>Working Temperature</i>	-25 to +60 (°C)
<i>Storage Temperature</i>	-40 to +85 (°C)
<i>Rated Life</i>	L70 Lifetime 50000 hours

Areas of Application

- Signage and illuminated advertising
- Backlighting of Channel Letters (Indoor & Outdoor)
- Light Boxes
- Cove Lighting

DIMENSION



Installation Information

<i>Installation Method</i>	Mechanical fasteners Peel-n-stick (optional)
<i>Self-Adhesive Tape</i>	3M (1600T)

Packing Information

<i>Quantity Per String</i>	50 Pcs
<i>Outer Carton</i>	520 x 370 x 260 mm
<i>Standard Packing</i>	2800 Modules / Carton Box

Order Information

QP1-0.36W-55-27K
 QP1-0.36W-55-30K
 QP1-0.36W-55-40K
 QP1-0.36W-58-50K
 QP1-0.36W-58-65K
 QP1-0.36W-58-71K
 QP1-0.36W-58-80K

Specifications subject to change without prior notice

CE RoHS LM-79 LM-80