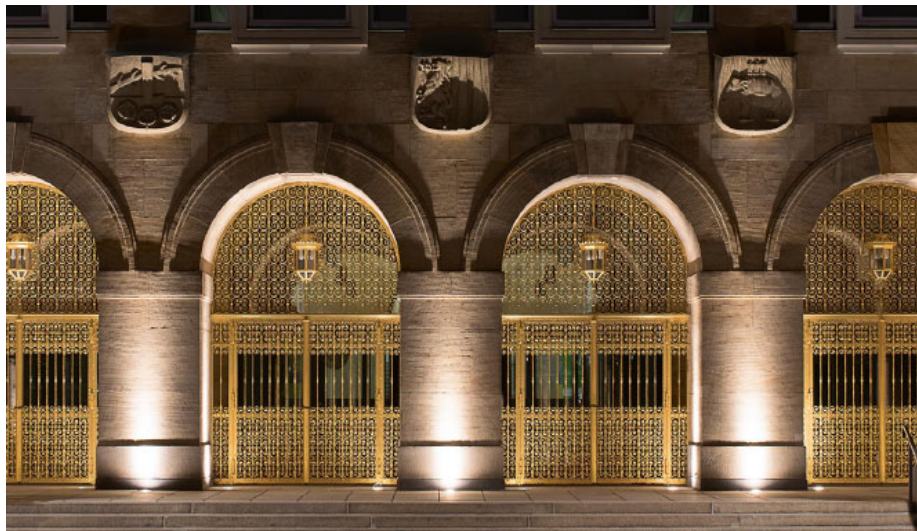
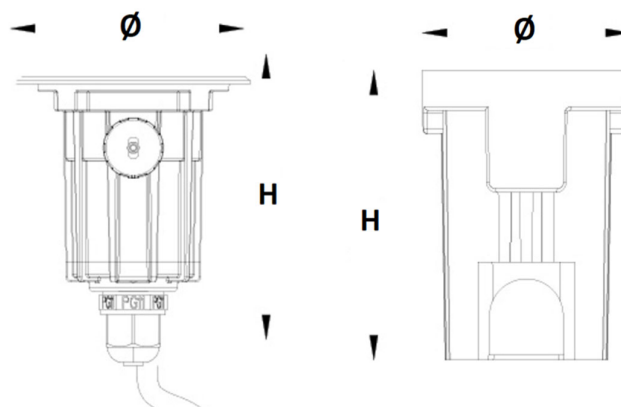


Mounting Sleeve



## TECHNICAL DATA

Wattage	Luminous Flux				Size (Ø X H)mm	Mounting Sleeve (Ø X H)mm	Cut out (mm)
	2700K	3000K	4000K	6000K			
3W	235	240	245	250	95 X 116	85 X 118	85
6W	470	480	490	500	130 X 133	119 X 136	119
13W	1020	1040	1060	1080	160 X 153	147 X 156	147
20W	1580	1600	1620	1640	180 X 162	165 X 168	165
24W	1900	1920	1940	1960	210 X 181	193 X 194	193
36W	2860	2880	2900	2920	250 X 190	223 X 212	223

<i>Luminous Efficacy</i>	> 80lm/W
<i>SDCM</i>	<3
<i>CRI</i>	>83/93
<i>Beam Angle</i>	Asymmetric
<i>Power Factor</i>	>0.95
<i>Working Voltage</i>	220 - 240V AC
<i>LED Driver</i>	Integral (Switched) / Remote (Dimmable)
<i>Control</i>	Switched / 0-10V / DALI
<i>Body Material</i>	Stainless steel
<i>Diffuser</i>	Tempered Glass
<i>IP Rating</i>	IP67
<i>Working Temperature</i>	-20°C to 50°C
<i>Rated Life</i>	50,000Hrs (L80)

## ORDER INFORMATION

Product Code	X	YY	ZZ
BLU-ROOTZ-R9-WW-3W	8 - CRI 83+	27 - 2700K	IP67 – IP67
BLU-ROOTZ-R13-WW-6W	9 - CRI 93+	30 - 3000K	
BLU-ROOTZ-R16-WW-13W		40 - 4000K	
BLU-ROOTZ-R18-WW-20W		60 - 6000K	
BLU-ROOTZ-R21-WW-24W			
BLU-ROOTZ-R25-WW-36W			

Example: BLU-ROOTZ-R9-WW-3W-827-IP67

Specification subject to change without notice